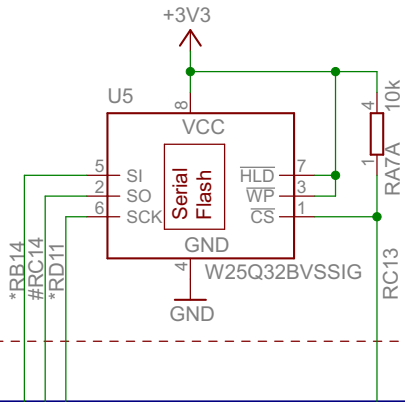
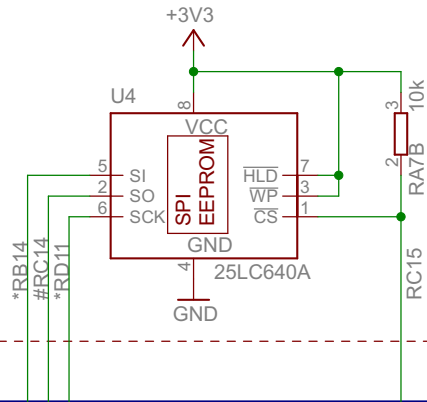


SBC66EC - Modtronix Engineering	
TITLE: sbc66ec-r1_doc	
Document Number:	REV: 1
Date: 24/04/2011 7:47:37 AM	Sheet: 1/4

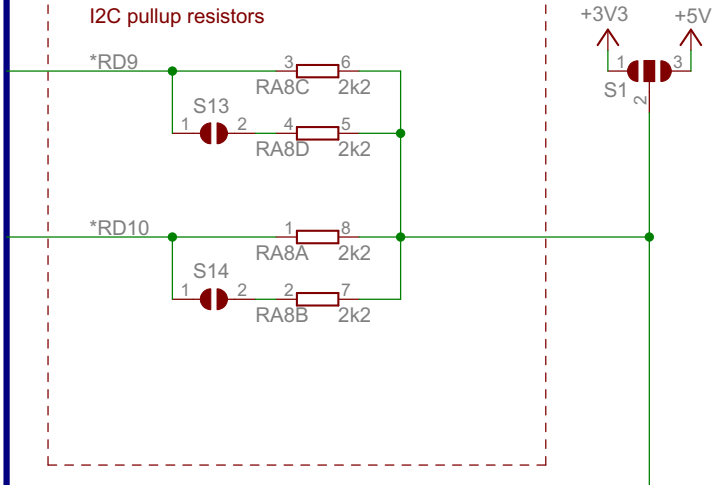
- 4MBytes Winbond Flash



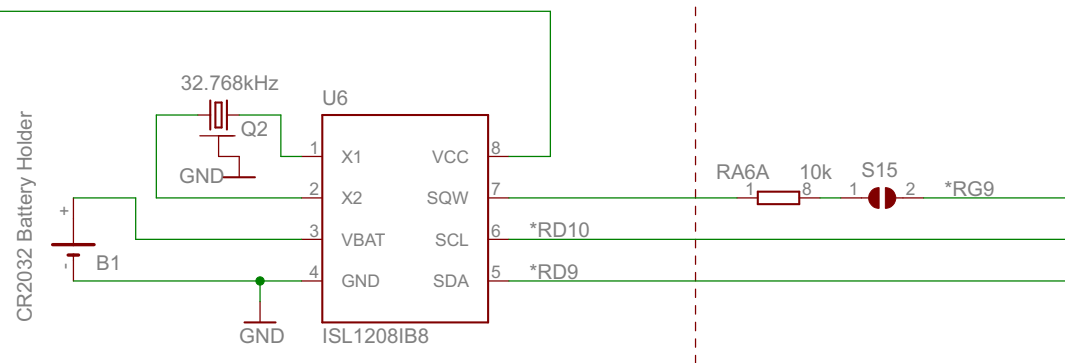
- 8KByte SPI EEPROM



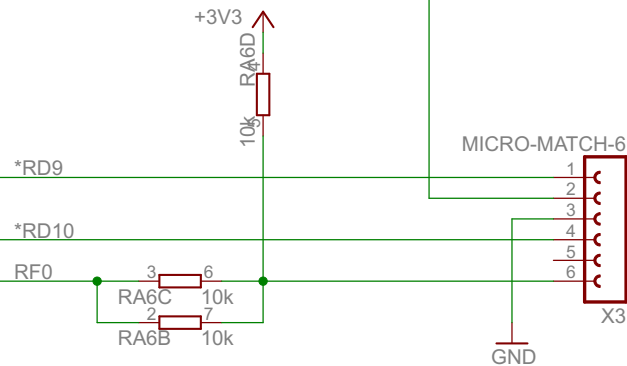
I2C pullup resistors



RTC with Battery Holder for Lithium Battery (Over 20 Years Life)



+3V3



 Indicates default solder jumper that is made at delivery

SBC66EC - Modtronix Engineering

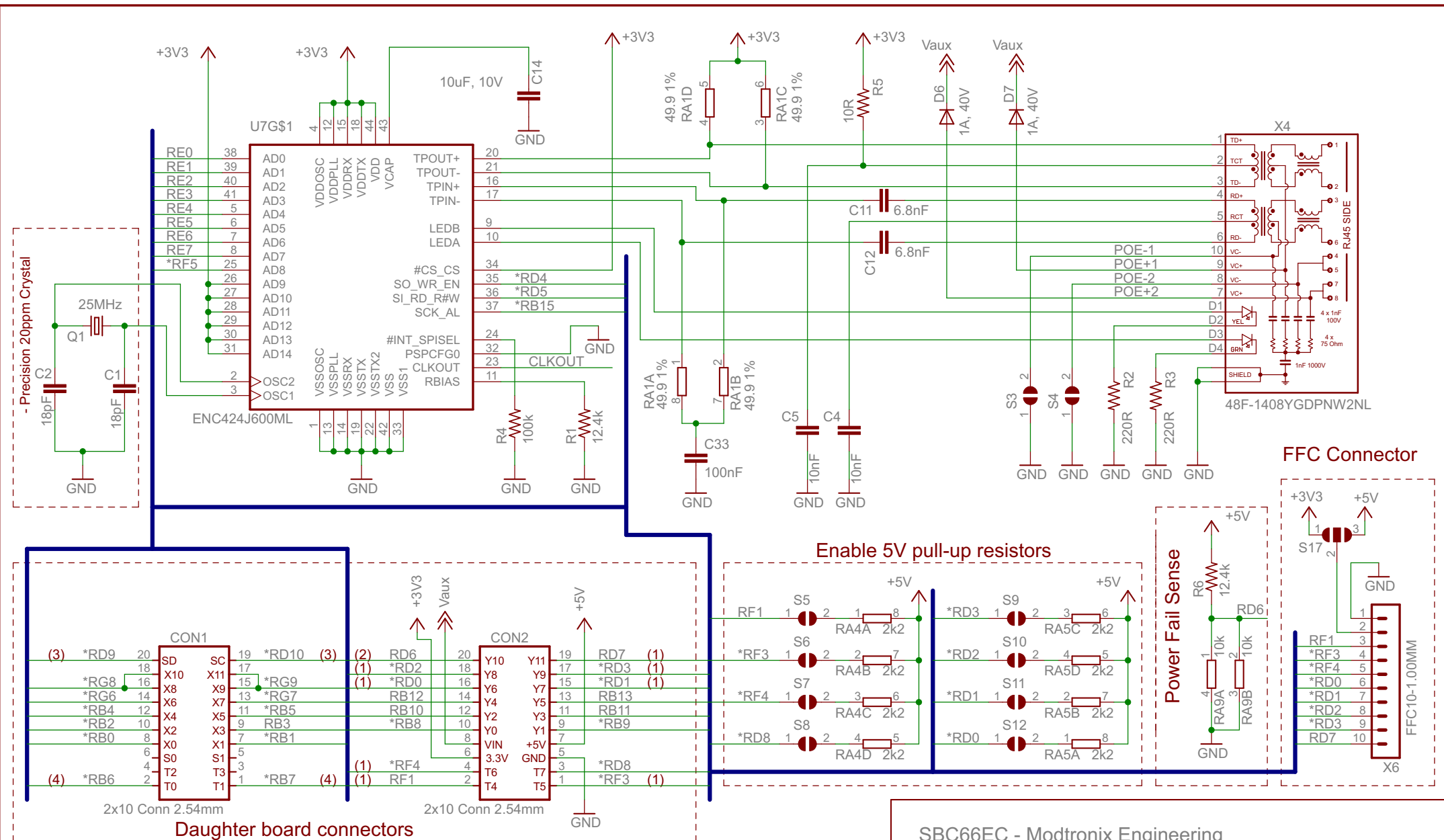
TITLE: sbc66ec-r1\_doc

Document Number:

REV:  
1

Date: 24/04/2011 7:47:37 AM

Sheet: 2/4



- (1) These pins are shared with the FFC Connector!
- (2) RD6 Shared with Power Fail Sense!
- (3) RD9 is I2C SDA, and RD10 is I2C SCK
- (4) RB6 and RB7 are programming pins, do not use!

- 5V compatible = F1, F3, F4, D0-D3, D8

Indicates default solder jumper that is made at delivery

SBC66EC - Modtronix Engineering

TITLE: sbc66ec-r1\_doc

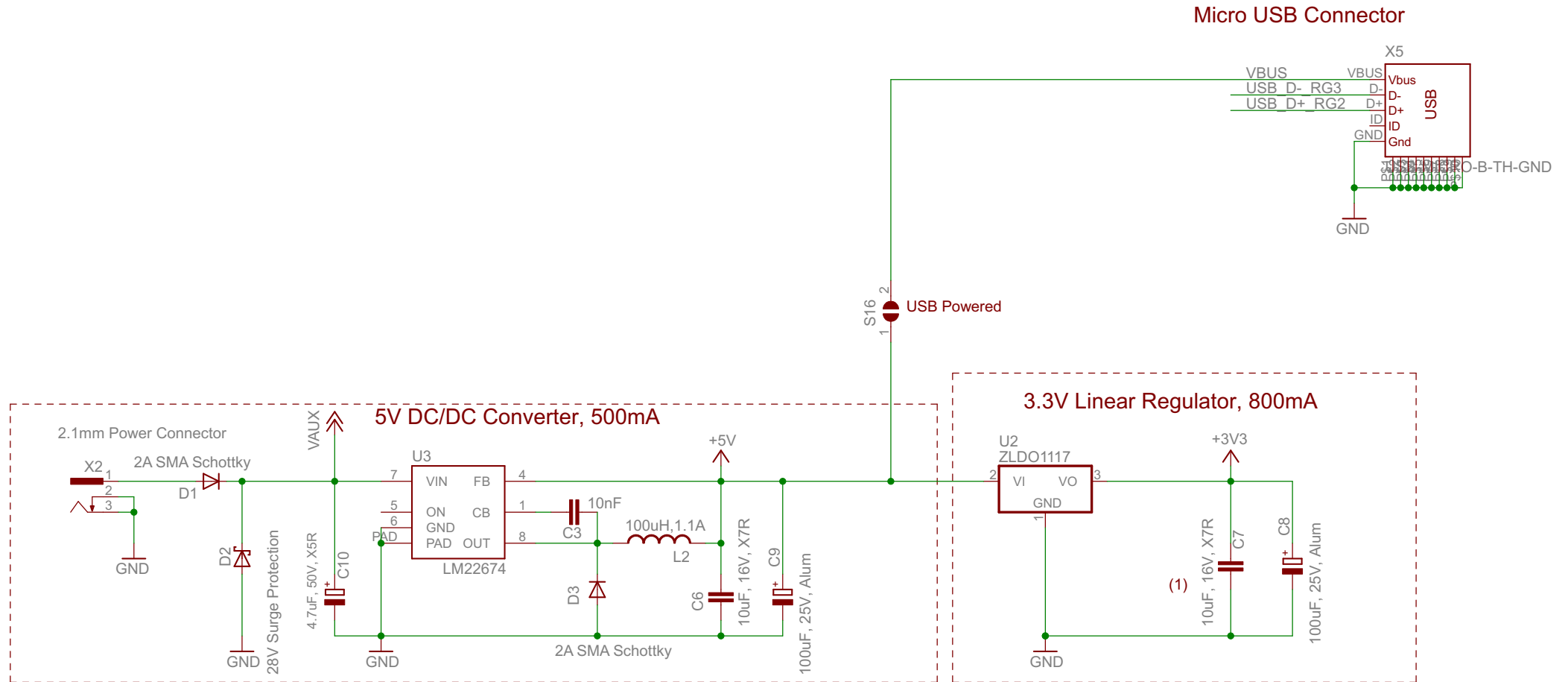
Document Number:

REV:

1

Date: 24/04/2011 7:47:37 AM

Sheet: 3/4



SBC66EC - Modtronix Engineering

TITLE: sbc66ec-r1\_doc

Document Number:

REV:

1

Date: 24/04/2011 7:47:37 AM

Sheet: 4/4

