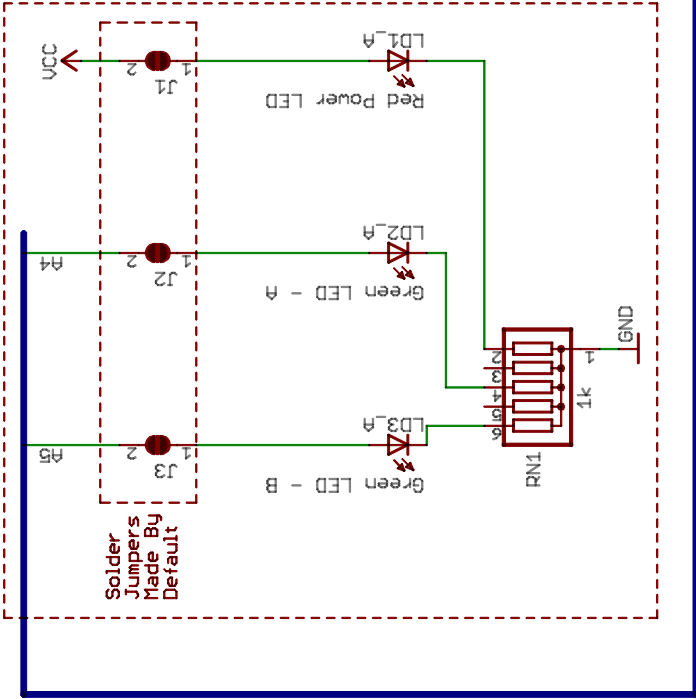
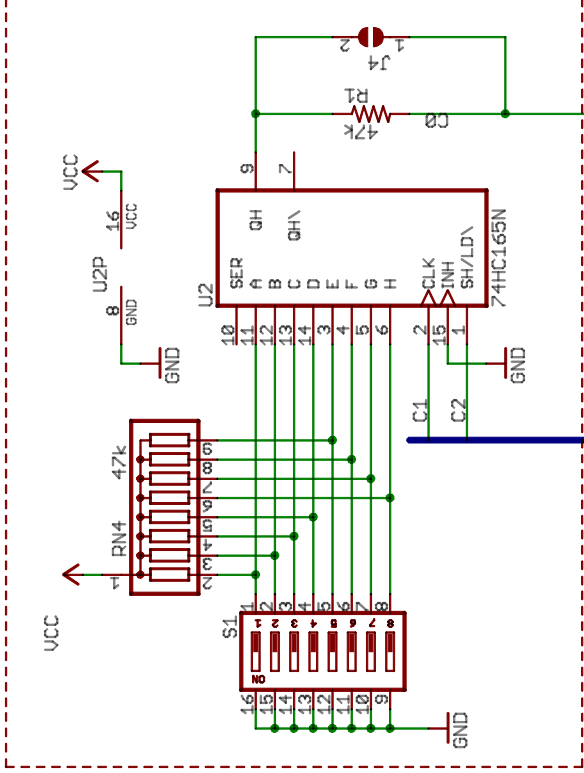


LED Output



8 Way DIP Switch - NOT ASSEMBLED!



A[0..5],B[0..7],C[0..7],D[0..7],E[0..2],I[0..7]

Modtronix Engineering

TITLE: pt10er1_doc

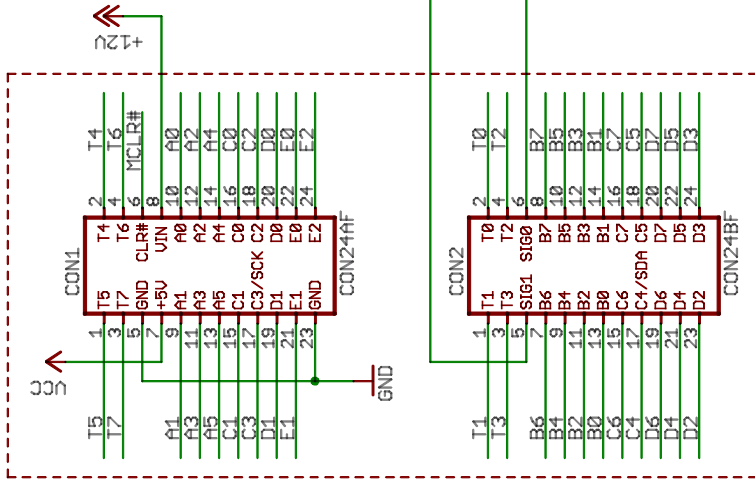
Document Number:

REV: 2

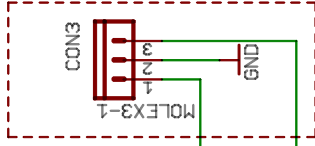
Date: not saved!

Sheet: 1/2

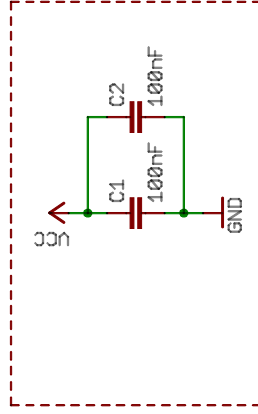
Daughter Board Connector



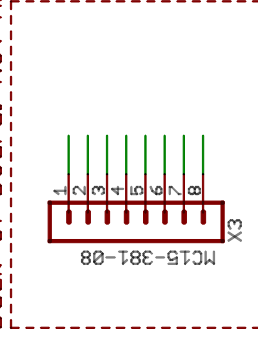
RS232 Interface
Not Assembled!



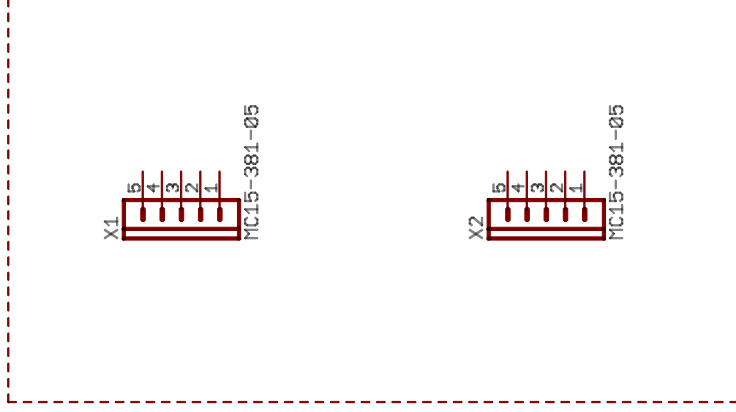
Not Assembled!



8 Pin Terminal Block connector on
back of board. Not Assembled!



Two 12 Pin Terminal Block connector on
front of board.



Modtronix Engineering

TITLE: pt10er1_doc

Document Number:

REV: 1

Date: not saved!

Sheet: 2/2

The MicroX SBC Main Board will be plugged into the Daughter Board connector.

